



# Amphibious Excavator HAWK-AT-120ERN



CERT NO: TUV100 01 2043  
ISO 9001: 2015



**Amphibious Excavators** are designed to traverse and dredge on soft terrain such as swamp, wet-land and shallow water. This system features an ultra-low ground pressure while operating. Our amphibious hydraulic undercarriages are compatible with excavators ranging from 5 to 50-ton models. HAWK Excavators are the optimal dredging system for:



# Amphibious Excavator

## HAWK-AT-120ERN

- Vegetation control
- Dredging canals, river channels & harbors
- Environmental remediation
- Flood protection & maintenance
- Creating marshes & animal habitats
- Constructing pipelines & underwater cables
- Swamps & wetlands construction
- Ice breaking & management
- Remote worksites requiring navigation through water and soft terrain

### **HAWK EXCAVATOR AT-120-ERN AMPHIBIOUS HYDRAULIC UNDERCARRIAGE TECHNICAL SPECIFICATION:**

1. Amphibious undercarriage hydrostatic drive.

- Brand: DOOSAN
- Type: Hydrostatic drive with integrated hydraulic 2 speed motors.
- Working pressure: 350kgf/cm<sup>2</sup>.
- Output torque: 2151kgfm.

2. **AMPHIBIOUS UNDERCARRIAGE CONSTRUCTION:** Anti corrosion steel plate, Material code: SMA 490. Each amphibious undercarriage is equipped with 3 independent watertight compartments. The bottom of amphibious undercarriage is reinforced.

3. **TRACK CHAINS:**

Double strands track chain per amphibious undercarriage. Pitch: 152.4mm. The track chain rollers are running on Hardox 400, 10mm thickness wear plates.

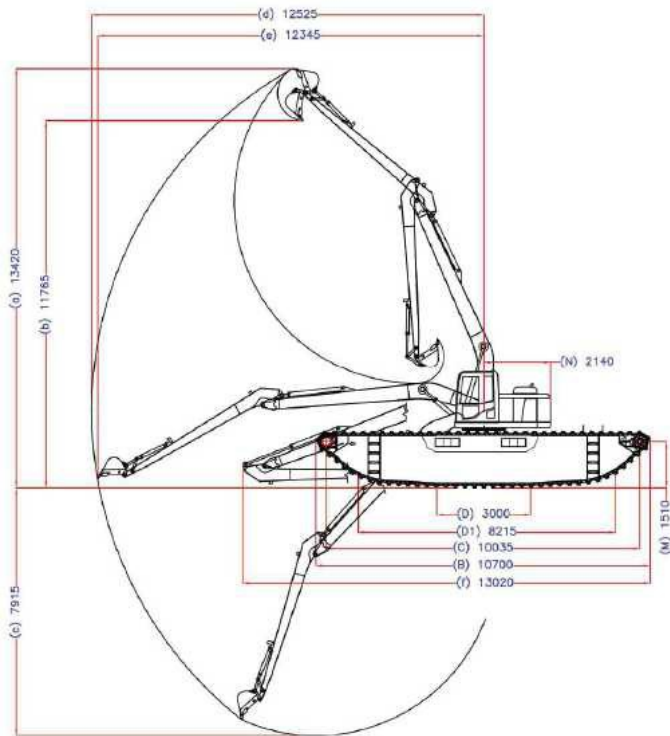
4. **GRADEABILITY:** 30 degree.

5. **OPERATING WEIGHT :** 28 tons. (Including hydraulic excavator upper body and 12.5 meter Long Reach Arm).

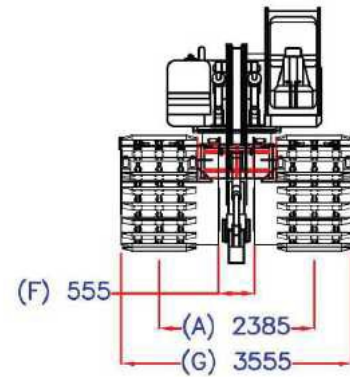
6. **WARRANTY:** 2,000 hours warranty on the UHMWPE (Ultra-High-Molecular-Weight Polyethylene) track plates against cracks. Warranty on the long reach and amphibious undercarriage will be covered up to 2,000 hours or up to 1 year of usage, whichever comes first. Coverage will be determined if an operating defect appears within the warranty period as measured from the date of delivery to the time of claim. Warranty covers against manufacturer defects excluding wear & tear and operator negligence. All Hawk Excavator-warranted parts and components that are defective in materials and/or workmanship will be repaired or replaced without charge for parts or labor. Warranty claim and service location: Hawk Excavation Headquarters 15405 Olde Hwy 80, El Cajon, CA 92021.



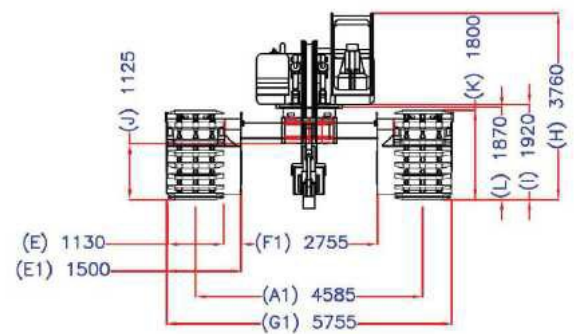
# Amphibious Excavator HAWK-AT-120ERN



RETRACTED POSITION



EXTENDED POSITION



*\*Excavator dimensions shown as mm*

## TECHNICAL DIMENSIONS

- Dimensions Are Based On 12.5m Long Reach Arm & 0.4m<sup>3</sup> GP Bucket.
- Specifications Are Subject To Change Without Prior Notice.
- Retracted position - Transportation purpose.
- Extended position - Operating purpose



# Amphibious Excavator

## HAWK-AT-120ERN

ITEM		METRIC	IMPERIAL
BASE MACHINE		12-15 TON EXCAVATOR	
TOTAL WEIGHT	WITHOUT SIDE PONTOON	28000 Kg	61729 lb
FLOAT CAPACITY		38 m3	1341.96 ft3
FLOAT CAPACITY/TOTAL WEIGHT		1.36 M3/ton	48.03 ft3
MAXIMUM TORQUE MOTOR		1850 kgf-m	4078.55 lbf
GROUND PRESSURE		0.18 KG/cm2	2.56 psi
TRAVEL SPEED	HI	4.2 km/H	2.61 mph
	LO	2.3 km /H	1.43 mph
MAXIMUM GRADIENT			
WORK EQUIPMENT	BOOM LENGTH	7050 mm	277.56 in
	ARM LENGTH	4970 mm	195.67 in
	BUCKET CAPACITY	0.4 m3	14.13 ft3
WORKING RANGE	a. MAX. DIGGING HEIGHT	13420 mm	528.35 in
	b. MAX. DUMPING HEIGHT	11765 mm	463.19 in
	c. MAX. DIGGING DEPTH	7915 mm	311.61 in
	d. MAX. DIGGING REACH	12525 mm	493.11 in
	e. MAX DIGGING REACH ON GROUND	12345 mm	486.02 in
	f. TOTAL LENGHT DURING PARKING	13020 mm	512.60 in
DIMENSIONS	A. TRACK GAUGE (FULLY RETRACTED)	2385 mm	93.90 in
	A1. TRACK GAUGE (FULLY EXTENDED)	4585 mm	180.51 in
	B. TRACK LENGTH	10700 mm	421.26 in
	C. DISTANCE BETWEEN IDLER & SPROCKET	10035 mm	395.08 in
	D. TRACK LENGTH ON HARD GROUND	3000 mm	118.11 in
	D1. TRACK LENGTH ON SOFT GROUND	8215 mm	323.43 in
	E. WIDTH TRACK SHOE	1130 mm	44.49 in
	E1. WIDTH FLOAT	1500 mm	59.06 in
	F. DISTANCE BETWEEN SHOE INSIDE (FULLY RETRACTED)	555 mm	21.85 in
	FI. DISTANCE BETWEEN SHOE INSIDE (FULLY EXTENDED)	2755 mm	108.46 in
	G. OVERALL MACHINE WIDTH (FULLY RETRACTED)	3555 mm	139.96 in
	G1. OVERALL MACHINE WIDTH (FULLY EXTENDED)	5755 mm	226.57 in
	H. OVERALL MACHINE HEIGHT	3760 mm	148.03 in
	I. GROUND CLEARANCE (COUNTERWEIGHT)	1920 mm	75.59 in
	J. MIN. GROUND CLEARANCE	1125 mm	44.29 in
	K. SHOE SETTING HEIGHT	1800 mm	70.87 in
L. CRAWLER HEIGHT	1870 mm	73.62 in	
M. WATER LINE HEIGHT	1510 mm	59.45 in	
N. MIN SWING RADIUS	2140 mm	84.25 in	