



# Amphibious Excavator

## HAWK-AT-400 / HAWK-AT-



CERT NO: TUV100 01 2043  
ISO 9001: 2015



**Amphibious Excavators** are designed to traverse and dredge on soft terrain such as swamp, wet-land and shallow water. This system features an ultra-low ground pressure while operating. Our amphibious hydraulic undercarriages are compatible with excavators ranging from 5 to 50-ton models. HAWK Excavators are the optimal dredging system for:



# Amphibious Excavator

## HAWK-AT-400 / HAWK-AT-

- Vegetation control
- Dredging canals, river channels & harbors
- Environmental remediation
- Flood protection & maintenance
- Creating marshes & animal habitats
- Constructing pipelines & underwater cables
- Swamps & wetlands construction
- Ice breaking & management
- Remote worksites requiring navigation through water and soft terrain

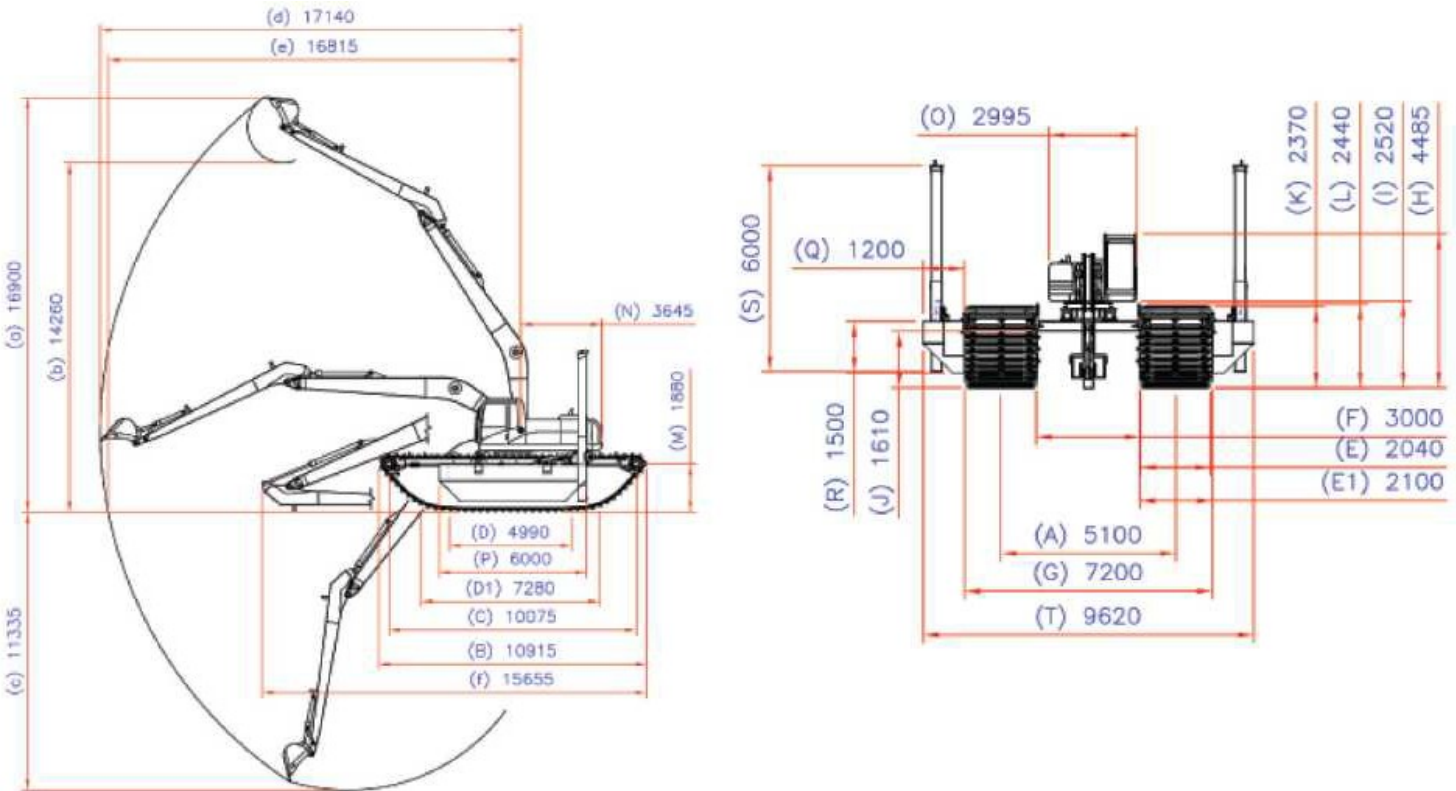
### **HAWK EXCAVATOR AT-400 / AT-400PS AMPHIBIOUS HYDRAULIC UNDERCARRIAGE TECHNICAL SPECIFICATION:**

1. Amphibious undercarriage hydrostatic drive.
  - Brand: DOOSAN
  - Type: Hydrostatic drive with integrated hydraulic 2 speed motors.
  - Working pressure: 350kgf/cm<sup>2</sup>.
  - Output torque: 3488kgfm.
2. **AMPHIBIOUS UNDERCARRIAGE CONSTRUCTION:** Anti corrosion steel plate, Material code: SMA 490.  
Each amphibious undercarriage is equipped with 3 independent watertight compartments. The bottom of amphibious undercarriage is reinforced.
3. **TRACK CHAINS:**  
Double strands track chain per amphibious undercarriage. Pitch: 152.4mm. The track chain rollers are running on Hardox 400, 10mm thickness wear plates.
4. **GRADEABILITY:** 30 degree.
5. **OPERATING WEIGHT :** 58 tons. (Including hydraulic excavator upper body and 17 meter Long Reach Arm).
6. **WARRANTY:** 2,000 hours warranty on the UHMWPE (Ultra-High-Molecular-Weight Polyethylene) track plates against cracks. Warranty on the long reach and amphibious undercarriage will be covered up to 2,000 hours or up to 1 year of usage, whichever comes first. Coverage will be determined if an operating defect appears within the warranty period as measured from the date of delivery to the time of claim. Warranty covers against manufacturer defects excluding wear & tear and operator negligence. All Hawk Excavator-warranted parts and components that are defective in materials and/or workmanship will be repaired or replaced without charge for parts or labor. Warranty claim and service location: Hawk Excavation Headquarters 15405 Olde Hwy 80, El Cajon, CA 92021.



# Amphibious Excavator

## HAWK-AT-400 / HAWK-AT-



\*Excavator dimensions shown as mm

### TECHNICAL DIMENSIONS

- Dimensions Are Based On 17m Long Reach Arm & 1.1m<sup>3</sup> GP Bucket.
- Specifications Are Subject To Change Without Prior Notice.
- Retracted position - Transportation purpose.
- Extended position - Operating purpose



# Amphibious Excavator

## HAWK-AT-400 / HAWK-AT-

ITEM		METRIC	IMPERIAL
BASE MACHINE		40 TON EXCAVATOR	
TOTAL WEIGHT	WITHOUT SIDE PONTOON	58000 Kg	127868 lbs
FLOAT CAPACITY		72 m <sup>3</sup>	2542.66 ft <sup>3</sup>
FLOAT CAPACITY/TOTAL WEIGHT		1.24 M <sup>3</sup> /ton	43.79 ft <sup>3</sup> /ton
MAXIMUM TORQUE MOTOR		3480 kgf-m	7672.09 lbf
GROUND PRESSURE		0.15 KG/cm <sup>2</sup>	2.13 psi
TRAVEL SPEED	HI	3.2 km/H	1.99 mph
	LO		1.12 mph
		1.8 km /H	
MAXIMUM GRADIENT			30
WORK EQUIPMENT	BOOM LENGTH	9727 mm	382.95 in
	ARM LENGTH	6650 mm	261.81 in
	BUCKET CAPACITY	1.1 m <sup>3</sup>	38.85 in
WORKING RANGE	a. MAX. DIGGING HEIGHT	16900 mm	665.35 in
	b. MAX. DUMPING HEIGHT	14260 mm	561.42 in
	c. MAX. DIGGING DEPTH	11335 mm	446.26 in
	d. MAX. DIGGING REACH	17140 mm	674.80 in
	e. MAX DIGGING REACH ON GROUND	16815 mm	662.01 in
	f. TOTAL LENGHT DURING PARKING	15655 mm	616.34 in
DIMENSIONS	A. TRACK GAUGE (FULLY RETRACTED)	5100 mm	200.79 in
	B. TRACK LENGTH	10915 mm	429.72 in
	C. DISTANCE BETWEEN IDLER & SPROCKET	10075 mm	396.65 in
	D. TRACK LENGTH ON HARD GROUND	4990 mm	196.46 in
	D1. TRACK LENGTH ON SOFT GROUND	7280 mm	286.61 in
	E. WIDTH TRACK SHOE	2040 mm	80.31 in
	E1. WIDTH FLOAT	2100 mm	82.68 in
	F. DISTANCE BETWEEN SHOE INSIDE	3000 mm	118.11 in
	G. OVERALL MACHINE WIDTH	7200 mm	283.46 in
	H. OVERALL MACHINE HEIGHT	4485 mm	176.57 in
	I. GROUND CLEARANCE (COUNTERWEIGHT)	2520 mm	99.21 in
	J. MIN. GROUND CLEARANCE	1610 mm	63.39 in
	K. SHOE SETTING HEIGHT	2370 mm	93.31 in
	L. CRAWLER HEIGHT	2440 mm	96.06 in
	M. WATER LINE HEIGHT	1880 mm	74.02 in
N. MIN SWING RADIUS	3645 mm	143.50 in	
O. CABIN WIDTH	2995 mm	117.91 in	
ADDITIONAL DIMENSIONS (SIDE)	P. SIDE PONTOON LENGTH	6000 mm	236.22 in
	Q. SIDE PONTOON WIDTH	1200 mm	47.24 in
	R. SIDE PONTOON HEIGHT	1500 mm	59.06 in
	S. SPUD LENGTH	6000 mm	236.22 in
	T. OVERALL MACHINE WIDTH	9620 mm	378.74 in



# Amphibious Excavator

HAWK-AT-400 /

HAWK-AT-

---