



Amphibious Excavator

HAWK-AT-90ER / HAWK-AT-



CERT NO: TUV100 01 2043
ISO 9001: 2015



Amphibious Excavators are designed to traverse and dredge on soft terrain such as swamp, wet-land and shallow water. This system features an ultra-low ground pressure while operating. Our amphibious hydraulic undercarriages are compatible with excavators ranging from 5 to 50-ton models. HAWK Excavators are the optimal dredging system for:



Amphibious Excavator

HAWK-AT-90ER / HAWK-AT-

- Vegetation control
- Dredging canals, river channels & harbors
- Environmental remediation
- Flood protection & maintenance
- Creating marshes & animal habitats
- Constructing pipelines & underwater cables
- Swamps & wetlands construction
- Ice breaking & management
- Remote worksites requiring navigation through water and soft terrain

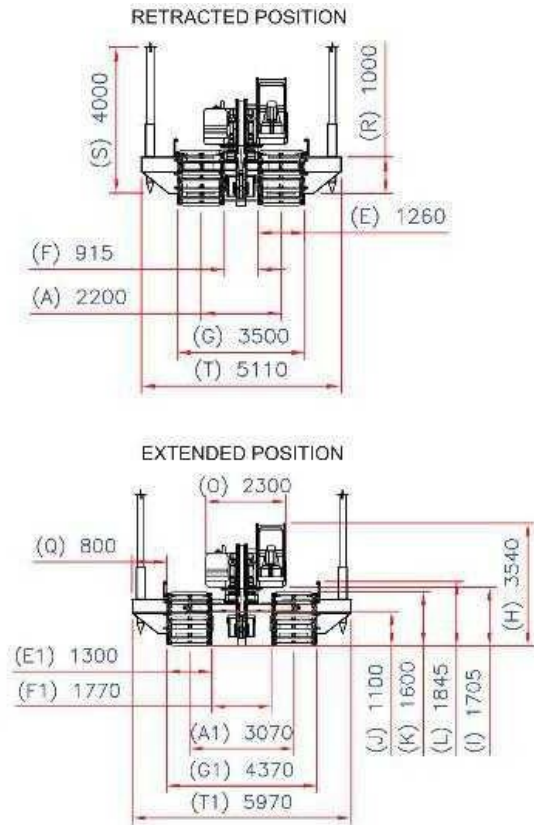
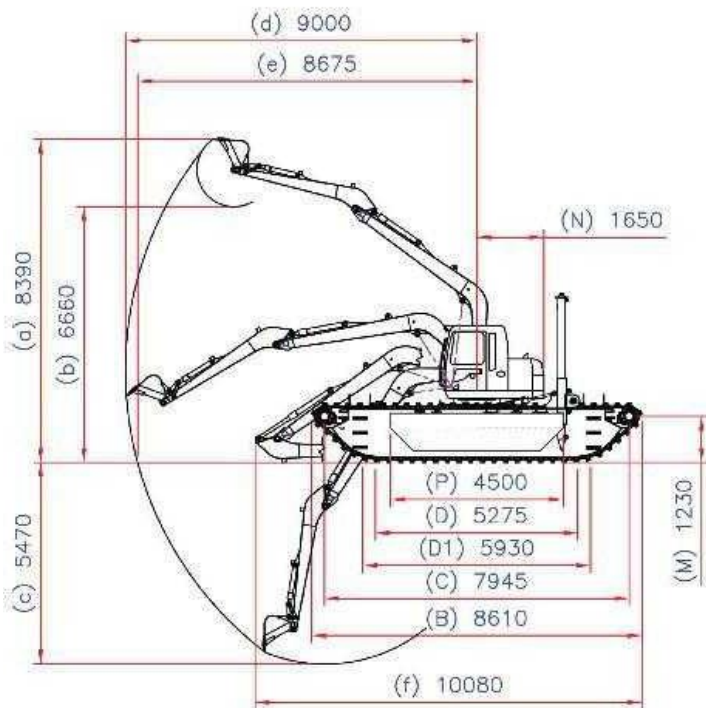
HAWK EXCAVATOR AT-90ER / AT-90ERPS AMPHIBIOUS HYDRAULIC UNDERCARRIAGE TECHNICAL SPECIFICATION:

1. Amphibious undercarriage hydrostatic drive.
 - Brand: DOOSAN
 - Type: Hydrostatic drive with integrated hydraulic 2 speed motors.
 - Working pressure: 350 kgf/cm².
 - Output torque: 1250kgfm.
2. **AMPHIBIOUS UNDERCARRIAGE CONSTRUCTION:** Anti corrosion steel plate, Material code: SMA 490.
Each amphibious undercarriage is equipped with 3 independent watertight compartments. The bottom of amphibious undercarriage is reinforced.
3. **TRACK CHAINS:**
Double strands track chain per amphibious undercarriage. Pitch: 152.4mm / 6in The track chain rollers are running on Hardox 400, 10mm thickness wear plates.
4. **GRADEABILITY:** 30 degree.
5. **OPERATING WEIGHT :** 16 tons. (Including hydraulic excavator upper body and 9 meter Long Reach Arm).
6. **WARRANTY:** 2,000 hours warranty on the UHMWPE (Ultra-High-Molecular-Weight Polyethylene) track plates against cracks. Warranty on the long reach and amphibious undercarriage will be covered up to 2,000 hours or up to 1 year of usage, whichever comes first. Coverage will be determined if an operating defect appears within the warranty period as measured from the date of delivery to the time of claim. Warranty covers against manufacturer defects excluding wear & tear and operator negligence. All Hawk Excavator-warranted parts and components that are defective in materials and/or workmanship will be repaired or replaced without charge for parts or labor. Warranty claim and service location: Hawk Excavation Headquarters 15405 Olde Hwy 80, El Cajon, CA 92021.



Amphibious Excavator

HAWK-AT-90ER / HAWK-AT-



**Excavator dimensions shown as mm*

TECHNICAL DIMENSIONS

- Dimensions Are Based On 9m Long Reach Arm & 0.33m³ GP Bucket.
- Specifications Are Subject To Change Without Prior Notice.
- Retracted position - Transportation purpose.
- Extended position - Operating purpose



Amphibious Excavator

HAWK-AT-90ER / HAWK-AT-

ITEM		METRIC	IMPERIAL
BASE MACHINE		8-10 TON EXCAVATOR	
TOTAL WEIGHT	WITHOUT SIDE PONTON	16250 Kg	35825.12 lbs
FLOAT CAPACITY		21 m3	741.61 ft3
FLOAT CAPACITY/TOTAL WEIGHT		1.29 M3/ton	45.56 ft3/ton
MAXIMUM TORQUE MOTOR		1850 kgf-m	4078.55 lbf
GROUND PRESSURE		.24 KG/cm2	.53 psi
TRAVEL SPEED	HI	4.2 km/H	2.61 mph
	LO	2.3 km/H	1.43 mph
MAXIMUM GRADIENT			30
WORK EQUIPMENT	BOOM LENGTH	5250 mm	206.69 in
	ARM LENGTH	2750 mm	108.27 in
	BUCKET CAPACITY	.33 m3	11.65 in
WORKING RANGE	a. MAX. DIGGING HEIGHT	8390 mm	330.32 in
	b. MAX. DUMPING HEIGHT	6660 mm	262.20 in
	c. MAX. DIGGING DEPTH	5470 mm	215.35 in
	d. MAX. DIGGING REACH	9000 mm	354.33 in
	e. MAX DIGGING REACH ON GROUND	8675 mm	341.54 in
	f. TOTAL LENGTH DURING PARKING	10080 mm	396.85 in
DIMENSIONS	A. TRACK GAUGE (FULLY RETRACTED)	2200 mm	86.61 in
	A1. TRACK GAUGE (FULLY EXTENDED)	3070 mm	120.87 in
	B. TRACK LENGTH	8610 mm	338.98 in
	C. DISTANCE BETWEEN IDLER & SPROCKET	7945 mm	312.80 in
	D. TRACK LENGTH ON HARD GROUND	5275 mm	207.68 in
	D1. TRACK LENGTH ON SOFT GROUND	5930 mm	233.46 in
	E. WIDTH TRACK SHOE	1260 mm	49.61 in
	E1. WIDTH FLOAT	1300 mm	51.18 in
	F. DISTANCE BETWEEN SHOE INSIDE (FULLY RETRACTED)	915 mm	36.02 in
	F1. DISTANCE BETWEEN SHOE INSIDE (FULLY EXTENDED)	1770 mm	69.69 in
	G. OVERALL MACHINE WIDTH (FULLY RETRACTED)	3500 mm	137.80 in
	G1. OVERALL MACHINE WIDTH (FULLY EXTENDED)	4370 mm	172.05 in
	H. OVERALL MACHINE HEIGHT	3540 mm	139.37 in
	I. GROUND CLEARANCE (COUNTERWEIGHT)	1705 mm	67.13 in
	J. MIN. GROUND CLEARANCE	1100 mm	43.31 in
	K. SHOE SETTING HEIGHT	1600 mm	63 in
	L. CRAWLER HEIGHT	1845 mm	72.64 in
	M. WATER LINE HEIGHT	1230 mm	48.43 in
	N. MIN SWING RADIUS	1650 mm	64.96 in
	O. CABIN WIDTH	2300 mm	90.55 in
ADDITIONAL DIMENSIONS	P. SIDE PONTON LENGTH	4500 mm	177.17 in
	Q. SIDE PONTON WIDTH	800 mm	31.50 in
	R. SIDE PONTON HEIGHT	1000 mm	39.37 in
	S. SPUD LENGTH	4000 mm	157.48 in



Amphibious Excavator

HAWK-AT-90ER / HAWK-AT-

PONTOON)	T. OVERALL MACHINE WIDTH (FULLY RETRACTED)	5110 mm	201.18 in
	TI. OVERALL MACHINE WIDTH (FULLY EXTENDED)	5970 mm	235.04 in