



HAWK

Reach Beyond, with HAWK.

VISIT SITE NOW >>

HITACHI

**CONSTRUCTION
HYDRAULIC EXCAVATOR**
ZX350LC-7H

Reliable Solutions



Hitachi Construction Machinery Group
LANDCROS
Japanese Excellence—Reliable Solutions

ZAXIS350

Net Rated Power : 271 HP (202 kW)
Operating Weight : 80,248 lb (36,400 kg)
Max Dig Reach at Ground Level : 38 ft 3 in (11.67m)
Max Dig Depth : 26 ft 10 in (8.18 m)
Model Code : ZX350LC-7H

VISIT SITE NOW >>



HAWK

Reach Beyond, with HAWK.

[VISIT SITE NOW >>](#)

MACHINE HIGHLIGHTS

Awesome **POTENTIAL**

Loaded with capability: the ZX350LC-7H benefits from meaningful changes that will add up to deliver better productivity, lower operating costs, and improved operator comfort. In addition, major systems have been overhauled from arm to tracks, with special focus on maximizing the number of compatible attachments, ease of coupling, and fuel efficiency across a range of uses.

When using heavy attachments, ZX350LC-7H operators have a number of tools at their disposal, including Tilt Control, Attachment / Arm Tuning Control, Hydraulic Quick Couplers, and several other specialized heavy-duty features.

With intuitive controls at the ready, operators can trust the ZX350LC-7H for peak performance and confident productivity.

Improved Design

Accomplish a wide variety of jobs with a powerful platform proven in multiple industries, then extend capability as-needed with a range of attachments.

Next Generation Technology

Integrated 8" anti-glare LCD monitor controls all major functions, including a 270° AERIAL ANGLE camera system, ECO Mode, and more.

Powerful, Durable Engine

Proven Isuzu diesel engine with up to 797 lbf of torque.

Increased Durability

Stout undercarriage with integrated X-Frame and enhanced track protection.

Quality Materials

From non-slip exterior surfaces to more durable interior materials, the ZX350LC-7H is made to last.



[VISIT SITE NOW >>](#)



HAWK

Reach Beyond, with HAWK.

VISIT SITE NOW >>



First-Class Cab Comfort

Maximum cab space, visibility of controls, and operator line-of-sight



Enhanced Productivity

Uptime is everything: lower fuel consumption and higher quality components mean less downtime and lower servicing costs.



Service & Maintenance

With ConSite Air, ConSite Oil, and field-tested maintenance routines, ZX350LC-7H is a workhorse with predictable service intervals.



Net Rated Power : 271 HP (202 kW)
Operating Weight : 80,248 lb (36,400 kg)
7Max Dig Reach at Ground Level : 38 ft 3 in (11.67 m)
Max Dig Depth : 26 ft 10 in (8.18 m)

VISIT SITE NOW >>



HAWK

Reach Beyond, with HAWK.

VISIT SITE NOW >>



VISIT SITE NOW >>



HAWK

Reach Beyond, with HAWK.

[VISIT SITE NOW >>](#)



COMFORT Lives Here

See and be seen: a larger interior with more head clearance and less noise, a panoramic view from the cab, and one-touch adjustable air suspension seat synchronized to move with the console. ROPS and FOPS certified cab.

- 1 Increased sweeping area of parallel link wiper** enhances visibility in difficult working conditions.
- 2 Air conditioning and audio** are easily controlled via the monitor.
- 3 Low-reflective color 8" LCD monitor** is easy to view and navigate.
- 4 USB socket and smartphone holder** helps you stay connected.
- 5 Cup holder** is easy to detach for cleaning.
- 6 Additional joystick controls** for effortless operation.
- 7 Ergonomic design** gives you convenient access to controls.
- 8 Bluetooth®** for hands-free calls.
- 9 Multifunctional control panel** makes operation easier.
- 10 Improved sound isolation** makes this one of the quietest cabs in the market.
- 11 Convenient storage space** keeps your workspace tidy and clutter-free.
- 12 Coat hooks** take care of your personal belongings.
- 13 One-touch adjustment lever for console** so you can work comfortably in the optimum position.
- 14 Integrated console and seat suspension** gives a greater sense of control and helps to reduce fatigue.
- 15 Increased legroom** creates a more spacious cab.
- 16 Optimal pedal layout** helps to reduce fatigue.

[VISIT SITE NOW >>](#)



VISIT SITE NOW >>

SPECIFICATIONS

ZX350LC-7H

ENGINE	
Model	Isuzu 6HK1X
Type	4-cycle water-cooled, common rail direct injection
Aspiration	Variable geometry turbocharged, intercooled, cooled EGR
Aftertreatment	DOC + SCR system
No. of cylinders	6
Rated power	
ISO 14396: 2002 gross	282 HP (210 kW) at 1,900 min ⁻¹
ISO 9249: 2007 net	271 HP (202 kW) at 1,900 min ⁻¹
Maximum torque	797 lbf (1,080 Nm) at 1,500 min ⁻¹
Piston displacement	475.38 cu. in. (7.79 L)
Bore and stroke	4.5" x 4.9" (115 mm x 125 mm)
Batteries	2 x 12 V / 135 Ah

HYDRAULIC SYSTEM			
Hydraulic Pumps			
Main pumps	3 variable displacement axial piston pumps		
Maximum oil flow	2 x 76 gal/min (288 L/min) 1 x 69 gal/min (260 L/min)		
Pilot pump	1 gear pump		
Maximum oil flow	9.7 gal/min (36.8 L/min)		
Hydraulic Motors			
Travel	2 variable displacement axial piston motors		
Swing	1 axial piston motor		
Relief Valve Settings			
Implement circuit	4,974.8 psi (34.3 MPa)		
Swing circuit	4,699.2 psi (32.4 MPa)		
Travel circuit	4,974.8 psi (34.3 MPa)		
Pilot circuit	565.6 psi (3.9 MPa)		
Power boost	5,511.4 psi (38.0 MPa)		
Hydraulic Cylinders			
	Quantity	Bore	Rod diameter
Boom	2	5.7" (145 mm)	3.9" (100 mm)
Arm	1	6.7" (170 mm)	4.5" (115 mm)
Bucket	1	5.5" (140 mm)	3.7" (95 mm)

UPPERSTRUCTURE	
Revolving Frame	
D-section frame for resistance to deformation.	
Swing Device	
Axial piston motor with planetary reduction gear is bathed in oil. Swing circle is single-row. Swing parking brake is spring-set/hydraulic-released disc type.	
Swing speed	9.7 min ⁻¹
Swing torque	88,507 lbf (120.0 kNm)

UNDERCARRIAGE	
Tracks	
Heat-treated connecting pins with dirt seals. Hydraulic (grease) track adjusters with shock-absorbing recoil springs.	
Numbers of Rollers and Shoes on Each Side	
Upper rollers	2
Lower rollers	8
Track shoes	48
Track guards	3
Travel Device	
Each track driven by 2-speed axial piston motor. Parking brake is spring-set/hydraulic-released disc type. Automatic transmission system: High-Low.	
Travel speeds	High: 0 to 3.1 mph (0 to 5.0 km/h)
	Low: 0 to 2.0 mph (0 to 3.2 km/h)
Maximum traction force	66,993 lbf (298 kN)
Gradeability	70% (35°) continuous

SERVICE REFILL CAPACITIES	
Fuel tank	166.3 gal (630.0 L)
Engine coolant	12.7 gal (48.0 L)
Engine oil	12.7 gal (48.0 L)
Swing device	4.1 gal (15.7 L)
Travel device (each side)	2.9 gal (11.0 L)
Hydraulic system	89.8 gal (340.0 L)
Hydraulic oil tank	52.3 gal (198.0 L)
DEF/AdBlue® tank	18.5 gal (70.0 L)

ENVIRONMENT	
Engine Emissions	EPA Final Tier 4 / EU Stage IV
Sounds Level	
Sound level in cab according to ISO 6396: 2008	LpA 71 dB(A)
External sound level according to ISO 6395: 2008 and EU Directive 2000/14/EC	LwA 105 dB(A)

Hitachi Construction Machinery Americas reserves the right to change specifications at any time without prior notification. © 2024 All Rights Reserved

VISIT SITE NOW >>



[VISIT SITE NOW >>](#)

WEIGHTS AND GROUND PRESSURE

Operating Weight and Ground Pressure

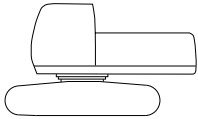
			ZX350LC-7H	
Boom type			Monoblock	
Shoe type	Shoe width, inch (mm)	Arm length, ft-in (m)	lb (kg)	psi (kPa)
Triple grouser	32" (800)	13' 2" (4.00)	80,248 (36,400)	7.40 (51.0)

Including 1.83 yd³ (1.40 m³) (ISO 7451: 2007 heaped) bucket weight, 2,579 lb (1,170 kg) and counterweight, 16,755 lb (7,600 kg).

BASIC MACHINE WEIGHT AND COMPONENTS WEIGHT

Basic Machine Weight and Overall Width

Excluding front end attachment, fuel, hydraulic oil and coolant etc. Including counterweight.



		ZX350LC-7H	
Shoe Type	Shoe width inch (mm)	Weight lb (kg)	Overall width inch (mm)
Triple grouser	32" (800)	61,961 (28,100)	11' 1" (3,390)

Components Weight

Unit: lb (kg)

		ZX350LC-7H
Counterweight		16,755 (7,600)
Monoblock boom (with arm cylinder and boom cylinder)		8,885 (4,030)
Arm 13' 2" (4.00 m) (with bucket cylinder)		4,784 (2,170)
Bucket ISO 7451: 2007 1.83 yd ³ (1.40 m ³)		2,579 (1,170)

BUCKET AND ARM DIGGING FORCE

Unit: lbf (kN)

		ZX350LC-7H
Arm length		13' 2" (4.00 m)
Bucket digging force ISO 6015: 2006		55,303 (246)
Arm crowd force ISO 6015: 2006		35,745 (159)

Calculated value at power boost

Hitachi Construction Machinery Americas reserves the right to change specifications at any time without prior notification. © 2024 All Rights Reserved

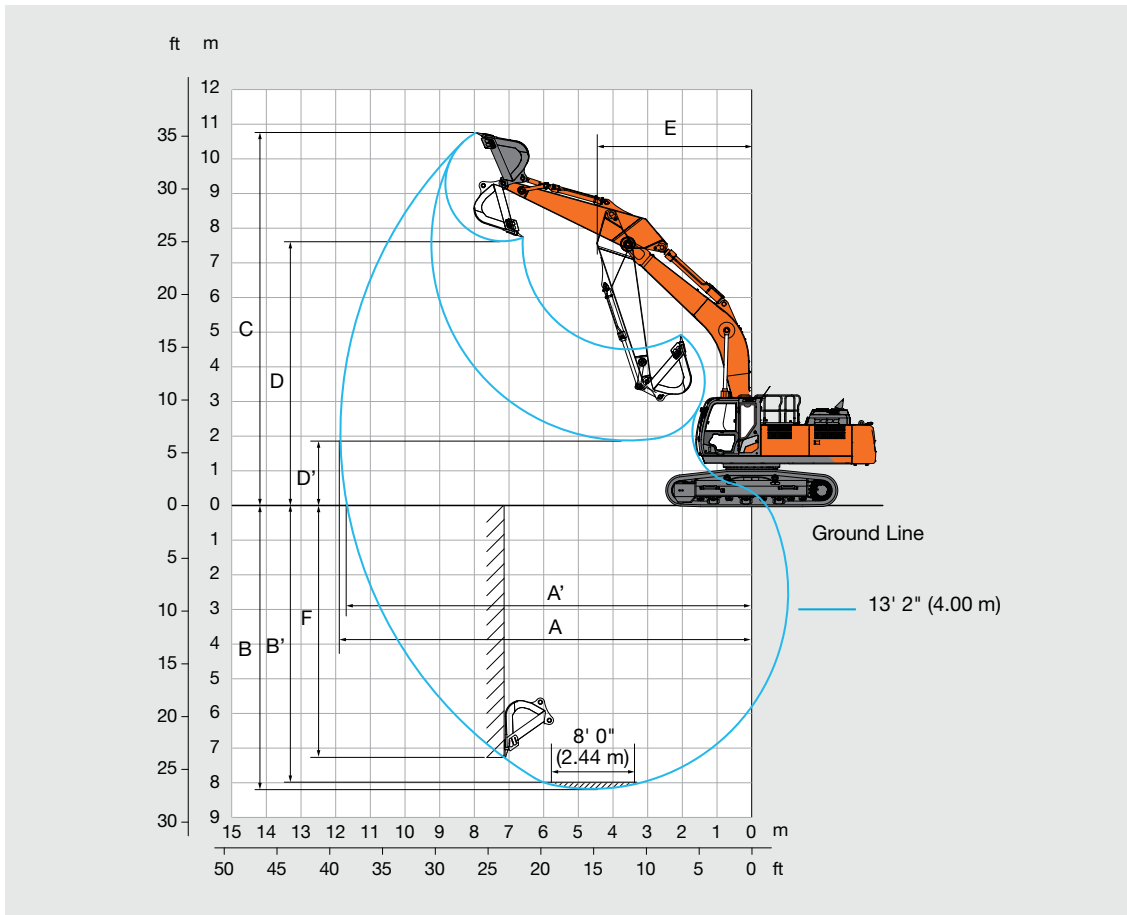
[VISIT SITE NOW >>](#)



SPECIFICATIONS

ZX350LC-7H

WORKING RANGES



Unit: ft-in (mm)

	ZX350LC-7H
	Monoblock boom
Arm length	13' 2" (4.00 m)
A Max. digging reach	38' 11" (11,860)
A' Max. digging reach (on ground)	38' 3" (11,670)
B Max. digging depth	26' 10" (8,180)
B' Max. digging depth for 8' 0" (2.44 m) level	26' 5" (8,040)
C Max. cutting height	35' 3" (10,750)
D Max. dumping height	25' 0" (7,630)
D' Min. dumping height	6' 2" (1,880)
E Min. swing radius	14' 8" (4,470)
F Max. vertical wall digging depth	23' 10" (7,270)

Excluding track shoe lug

Hitachi Construction Machinery Americas reserves the right to change specifications at any time without prior notification. © 2024 All Rights Reserved

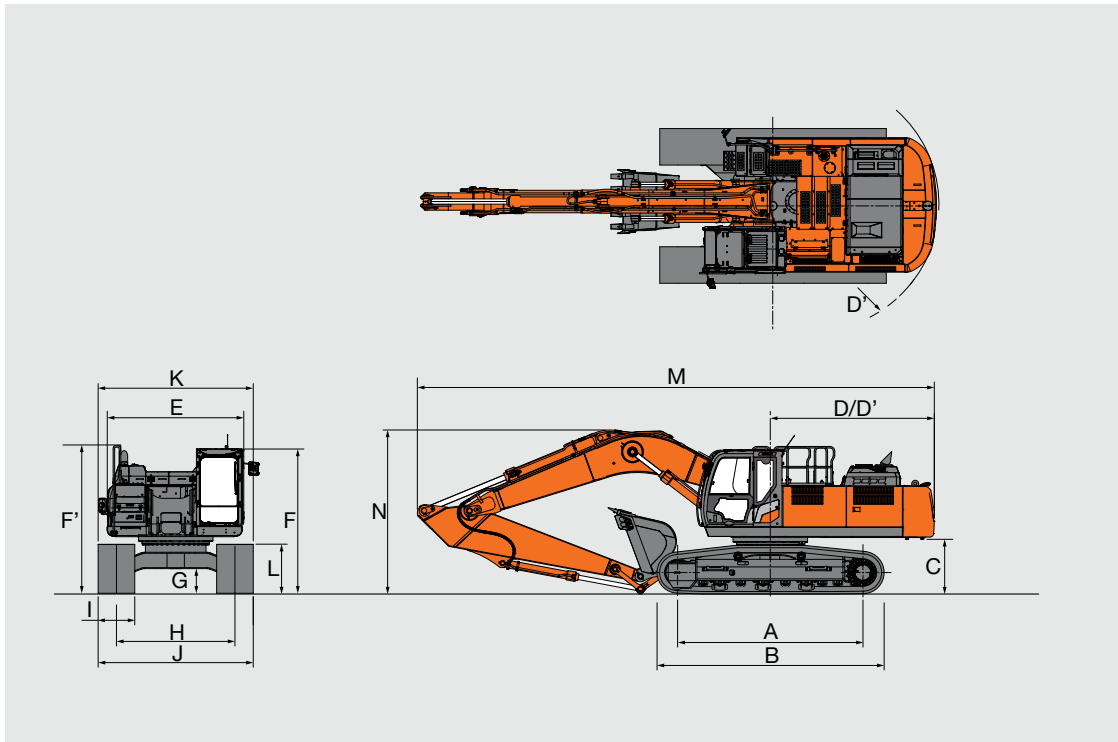


HAWK

Reach Beyond, with HAWK.

VISIT SITE NOW >>

DIMENSIONS



Unit: ft-in (mm)

	ZX350LC-7H	
	Monoblock boom	
A	Distance between tumbler	13' 3" (4,050)
B	Undercarriage length	16' 4" (4,970)
* C	Counterweight clearance	3' 10" (1,160)
D	Rear-end swing radius	11' 10" (3,600)
D'	Rear-end length	11' 9" (3,590)
E	Overall width of upperstructure	9' 10" (2,990)
F	Overall height of cab	10' 4" (3,150)
F'	Overall height of handrail	10' 7" (3,230)
* G	Min. ground clearance	1' 8" (500)
H	Track gauge	8' 6" (2,590)
I	Track shoe width	G 2' 7" (800)
J	Undercarriage width	11' 1" (3,390)
K	Overall width	11' 1" (3,390)
* L	Track height with triple grouser shoes	3' 6" (1,070)
M	Overall length with 13' 2" (4.00 m) arm	37' 1" (11,300)
N	Overall height of boom with 13' 2" (4.00 m) arm	11' 9" (3,590)

* Excluding track shoe lug
G: Triple grouser shoe

Hitachi Construction Machinery Americas reserves the right to change specifications at any time without prior notification. © 2024 All Rights Reserved

VISIT SITE NOW >>

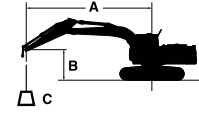


VISIT SITE NOW >>

MACHINE CAPACITIES

ZX350LC-7H

- Notes:
1. Ratings are based on ISO 10567: 2007.
 2. Machine capacity does not exceed 75% of tipping load with the machine on firm, level ground or 87% full hydraulic capacity.
 3. The load point is the center-line of the bucket pivot mounting pin on the arm.
 4. * Indicates load limited by hydraulic capacity.
 5. 0 ft (0 m) = Ground.
 6. Machine specifications are determined excluding the bucket.



A: Load radius
B: Load point height
C: Machine capacity

For machine capacities, subtract installed attachment and quick hitch weight from machine capacities.

To determine lifting capacities, apply "Rating over-side or 360 degrees" machine capacities from the table and deduct weight of installed attachment and quick hitch.

Optional feature may affect machine performance.

ZX350LC-7H MONOBLOCK BOOM

Rating over-front Rating over-side or 360 degrees Unit : lb (kg)

Conditions	Load point height (ft (m))	Load radius												At max. reach		
		5 ft (1.5 m)		10 ft (3.0 m)		15 ft (4.5 m)		20 ft (6.0 m)		25 ft (7.5 m)		30 ft (9.0 m)		ft-in (meter)		
Boom 21' (6.40 m) Arm 10' 6" (3.20 m) Counterweight 16,755 lb (7,600 kg)	20' (6.0)									*19,550 (*8,920)	16,900 (7,850)			*13,810 (*6,250)	*13,810 (*6,250)	28' (8.58)
	15' (4.5)							*23,650 (*10,910)	23,090 (10,700)	*20,820 (*9,550)	16,440 (7,620)		(*7,410) (5,700)	*13,830 (*6,270)	12,340 (5,570)	29' 10" (9.12)
	10' (3.0)					*36,800 (*17,110)	32,990 (15,270)	*27,250 (*12,590)	21,830 (10,110)	*22,630 (*10,410)	15,810 (7,330)	18,420 (8,560)	12,010 (5,570)	*14,310 (*6,500)	11,510 (5,210)	30' 10" (9.39)
	5' (1.5)					*42,360 (*19,610)	30,860 (14,300)	*30,390 (*14,040)	20,710 (9,590)	23,740 (11,020)	15,210 (7,050)	18,110 (8,410)	11,720 (5,440)	*15,300 (*6,940)	11,230 (5,090)	30' 11" (9.42)
	0 (Ground)					*44,140 (*20,360)	29,920 (13,890)	*32,160 (*14,840)	19,990 (9,260)	23,250 (10,790)	14,780 (6,840)	17,910 (8,300)	11,530 (5,340)	*16,980 (*7,700)	11,450 (5,190)	30' 2" (9.19)
	-5' (-1.5)			*30,050 (*13,270)	*30,050 (*13,270)	*43,030 (*19,830)	29,740 (13,810)	32,110 (*14,830)	19,700 (9,130)	23,040 (10,690)	14,590 (6,750)			19,180 (8,680)	12,300 (5,570)	28' 6" (8.70)
	-10' (-3.0)	*34,930 (*15,580)	*34,930 (*15,580)	*47,660 (*21,030)	*47,660 (*21,030)	*39,420 (*18,190)	30,030 (13,940)	*29,960 (*13,860)	19,800 (9,170)	*22,810 (*10,650)	14,740 (6,810)			*21,580 (*9,780)	14,190 (6,390)	25' 10" (7.90)
	-15' (-4.5)			*42,720 (*19,850)	*42,720 (*19,850)	*32,320 (*15,060)	30,800 (14,290)	*24,050 (*11,330)	20,390 (9,420)					*21,190 (*9,630)	18,470 (8,230)	21' 7" (6.66)
	Boom 21' (6.40 m) Arm 13' 2" (4.00 m) Counterweight 16,755 lb (7,600 kg)	25' (7.5)									*16,830 (*7,630)	*16,830 (7,630)			*11,060 (*4,990)	*11,060 (*4,990)
20' (6.0)										*17,350 (*7,920)	17,250 (7,920)	*13,340 (*6,080)	12,640 (5,890)	*10,680 (*4,840)	*10,680 (*4,840)	30' 9" (9.41)
15' (4.5)										*18,870 (*8,660)	16,700 (7,750)	*17,710 (*8,080)	12,440 (5,780)	*10,680 (*4,840)	*10,680 (*4,840)	32' 5" (9.91)
10' (3.0)						*32,420 (*15,060)	*32,420 (*15,060)	*24,790 (*11,450)	22,260 (10,310)	*20,930 (*9,630)	15,990 (7,410)	18,520 (*8,570)	12,070 (5,610)	*10,980 (*4,980)	10,170 (4,600)	33' 4" (10.16)
5' (1.5)						*39,320 (*18,220)	31,500 (14,600)	*28,480 (*13,150)	20,940 (9,700)	*23,000 (*10,590)	15,270 (7,070)	18,100 (8,400)	11,690 (5,420)	*11,620 (*5,280)	9,920 (4,490)	33' 5" (10.18)
0 (Ground)				*18,260 (*8,020)	*18,260 (*8,020)	*43,020 (*19,870)	29,960 (13,900)	*31,050 (*14,330)	19,980 (9,260)	23,190 (10,760)	14,690 (6,810)	17,760 (8,240)	11,370 (5,270)	*12,710 (*5,760)	10,050 (4,560)	32' 9" (9.97)
-5' (-1.5)		*18,010 (*8,060)	*18,010 (*8,060)	*27,530 (*12,180)	*27,530 (*12,180)	*43,570 (*20,090)	29,370 (13,640)	31,880 (*14,760)	19,460 (9,020)	22,810 (10,580)	14,350 (6,650)	17,590 (8,150)	11,220 (5,190)	*14,480 (*6,550)	10,650 (4,820)	31' 3" (9.53)
-10' (-3.0)		*28,380 (*12,670)	*28,380 (*12,670)	*39,870 (*17,610)	*39,870 (*17,610)	*41,490 (*19,150)	29,380 (13,650)	*31,040 (*14,340)	19,350 (9,070)	22,750 (10,550)	14,290 (6,620)			*17,570 (*7,910)	11,950 (5,390)	28' 9" (8.80)
-15' (-4.5)		*40,910 (*18,170)	*40,910 (*18,170)	*50,650 (*23,480)	*50,650 (*23,480)	*36,450 (*16,910)	29,900 (13,880)	*27,460 (*12,790)	19,670 (9,100)	*20,060 (*9,530)	14,680 (6,770)			*19,930 (*9,040)	14,630 (6,550)	25' 1" (7.71)
-20' (-6.0)			*35,740 (*16,920)	*35,740 (*16,920)	*26,410 (*12,560)	*26,410 (*12,560)	*8,800 (*4,000)	*8,800 (*4,000)					*18,860 (*8,620)	*18,860 (*8,620)	19' 5" (6.06)	

Hitachi Construction Machinery Americas reserves the right to change specifications at any time without prior notification. © 2024 All Rights Reserved

VISIT SITE NOW >>



HAWK

Reach Beyond, with HAWK.

VISIT SITE NOW >>

EQUIPMENT

ZX350LC-7H

● Standard equipment ○ Optional equipment

ENGINE	ZX350LC-7H
Aftertreatment device	●
Air cleaner double filters	●
Alternator 50 A	●
Auto idle system	●
Auto shut-down control	●
Cartridge-type engine oil filter	●
Cartridge-type fuel main filter	●
Cold fuel resistance valve	●
ConSite Oil (sensor)*	●
DEF / AdBlue® tank	●
DEF / AdBlue® tank inlet strainer and extension filler	●
Dry-type air filter with evacuator valve (with air filter restriction indicator)	●
Dust-proof indoor net	●
ECO / PWR / HP mode control	●
Electrical fuel feed pump	●
Engine oil drain coupler	●
Expansion tank	●
Fan guard	●
Fuel cooler	●
Fuel pre-filter with water separator	●
Isolation-mounted engine	●
Maintenance free pre-cleaner	○
Radiator, oil cooler and intercooler	●

HYDRAULIC SYSTEM	ZX350LC-7H
Auto power lift	●
ConSite Oil (sensor)*	●
Control valve with main relief valve	●
Hose rupture valve for boom/arm and overload alarm	○
High mesh full flow filter	●
Pilot filter	●
Power boost	●
Restriction indicator for full flow filter	○
Suction filter	●
Swing dampener valve	●
Two extra ports for control valve	●
Variable relief valve for breaker and crusher	●
Work mode selector	●

CAB	ZX350LC-7H
All-weather sound suppressed steel cab	●
Auto control air conditioner	●
AUX function lever (breaker)	●
AUX function lever (breaker assist)	○
Bluetooth® integrated radio	●
Console height adjustment	●
Control lever auto-lock	●
CRES VII (center pillar reinforced structure) cab	●
Drink holder with hot and cool function	●
Electric double horn	●
Engine shut-off switch	●
Equipped with reinforced, tinted (green color) glass windows	●
Evacuation hammer	●
Floor mat	●
Fluid-filled elastic mounts (4)	●
Foot rest	●
Front window washer (2 points)	●
Glove compartment	●
Hands-free calling device	●
Hot and cool box	●
Intermittent windshield wipers	●
Key cylinder light	●
LED room light	●
Magazine rack	●
OPG front guard Level II (ISO 10262: 1998) compliant	○
OPG top guard Level I (ISO 10262: 1998) compliant	●
OPG top guard Level II (ISO 10262: 1998) compliant	○
Pilot shut-off lever	●
Power outlet 12 V and 24 V	●
Push button low idle	●
Rain guard (without OPG front guard)	●
Rear tray	●
Retractable seat belt 3 in. (76 mm)	●
ROPS (ISO 12117-2: 2008) compliant cab	●
Rubber radio antenna	●
Seat: air suspension seat with heater	●
Seat adjustment part: backrest, armrest, height and angle, slide forward/back	●
Seat belt reminder	●
Short wrist control levers	●
Smartphone holder	●
Straight travel pedal	○
Stereo Speakers (2)	●
Sunscreen roller type (multi-use front or side and rear window)	●
Transparent roof with slide curtain	●
USB power supply	●
Wide view wiper	●
Windows on front, upper, lower and left side can be opened	●
8" monitor	●

Hitachi Construction Machinery Americas reserves the right to change specifications at any time without prior notification. © 2024 All Rights Reserved

VISIT SITE NOW >>



HAWK

Reach Beyond, with HAWK.

VISIT SITE NOW >>

●: Standard equipment ○: Optional equipment

MONITOR SYSTEM	ZX350LC-7H
Alarm buzzers: overheat, engine oil pressure, overload, SCR system trouble, etc	●
Alarms: overheat, engine warning, engine oil pressure, alternator, minimum fuel level, hydraulic filter restriction, air filter restriction, work mode, overload, SCR system trouble, etc	●
Display of meters: water temperature, hour, fuel rate, clock, DEF / AdBlue® rate, etc	●
Other displays: work mode, auto-idle, glow, rear view monitor, side view monitor, operating conditions, etc	●
35 languages selection	●

LIGHTS	ZX350LC-7H
Additional boom LED light with cover	●
Additional cab roof front LED lights	●
LED lights for camera (side and rear view camera)	●
Rotating lamp	○
Working LED lights (2)	●

UPPER STRUCTURE	ZX350LC-7H
AERIAL ANGLE (270° view camera system)	●
Batteries 2 x 128 Ah	●
Body top handrail	●
Control pattern changer (ISO / BH)	●
Counterweight 16,755 lb (7,600 kg)	●
Fuel level float	●
HD Undercover	○
Hydraulic oil level gauge	●
Lockable fuel refilling cap	●
Lockable machine covers	●
Lockable tool box	●
Platform handrail	●
Side view mirror (right and left)	●
Skid-resistant plates	●
Swing parking brake	●
Undercover	●
Utility space	●
2 way battery disconnect switch	●

MISCELLANEOUS	ZX350LC-7H
ConSite	○
Exclusive Global e-Service telematics	●
Onboard information controller	●
Satellite communication device	○
Standard tool kit	●
Travel alarm	●

UNDERCARRIAGE	ZX350LC-7H
Bolt-on sprocket	●
Greasing type track adjuster	●
Reinforced track links with pin seals	●
Shoe: 32" (800 mm) triple grouser	●
Tie down brackets (4)	●
Towing hole for light weight object	●
Track guards (3 each side)	●
Track undercover	○
Travel direction mark on track frame	●
Travel motor covers	●
Travel parking brake	●
Upper and lower rollers	●

FRONT ATTACHMENTS	ZX350LC-7H
Arm 13' 2" (4.00 m)	●
Arm tip remote lubrication	●
Casted bucket link A	●
Centralized lubrication system	●
Dirt seal on all bucket pins	●
Flanged pin	●
HN bushing	●
Lower arm reinforcement	●
Reinforced bucket link B	●
Reinforced resin thrust plate	●
WC (tungsten-carbide) thermal spraying	●

ATTACHMENTS	ZX350LC-7H
Additional pump (13.2 gal (50 L)/min)	○
Assist piping	○
Auxiliary hydraulic piping	●
Auxiliary hydraulic piping (straight-short piping)	○
Pilot accumulator	○
Two Pump Combined Flow	○

Standard and optional equipment may vary by country, so please consult your Hitachi Construction Machinery Americas authorized dealer for details.
* Engine oil and hydraulic oil monitoring sensor.

Hitachi Construction Machinery Americas reserves the right to change specifications at any time without prior notification. © 2024 All Rights Reserved

VISIT SITE NOW >>